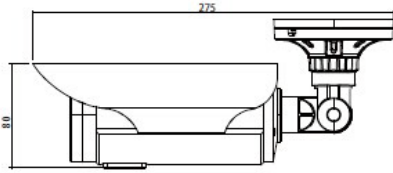
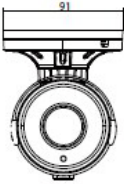
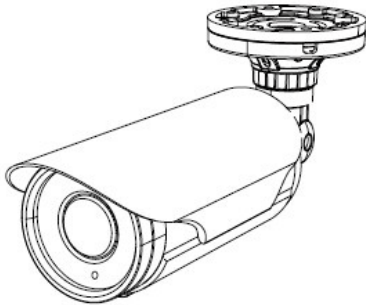


Analogue Camera

5MP 1440P AHD Bullet

EEA5MIR



FEATURES

3DNR

IR CUT

5MP / 1440P / 1080P / 960H

1/2.9" SONY Starvis Back-illuminated CMOS sensor

2.7-13.5mm Motorized lens UTC enabled

2MP 1080P/ 960H

AHD/CVI/TVI/CVBS

EEA5MIR

5MP 1440P AHD | EEA5MIR

v1.2-8.14

Camera	
Image Sensor	1/2.9" SONY Starvis Back-illuminated CMOS sensor
Resolution	5MP / 1440P / 1080P / 960H
Effective Pixels	5M:2592*1944 4M:2560*1440 2M:1920*1080
Video Output	AHD:5M@20fps/12.5fps,4M@30fps/15fps,2M@30fps; TVI:5M@12.5fps,4M@15fps,2M/1.3M@30fps; CVI:2M/1.3M@30fps
TV System	PAL/NTSC
Electronic Shutter Time	1/25s~1/50,000s , 1/30s~1/60,000s
S/N Ratio	≥50dB
Scanning System	Progressive
Lens	
Focus Length	2.7-13.5mm
Focus Control	Auto
Lens Type	Motorized
Pixels	5MP
Night Vision	
Infrared LED	42μ x 6PCS
Infrared Distance	60M
IR Power On	CDS Auto Control
Camera Features	
Day/Night	Yes
OSD Menu Language	Yes
White Balance	Auto/Manual
Gain Control	Auto
Noise Reduction	3DNR
Picture Adjustment	Yes
WDR	Yes
OSD Support	Yes
UTC	Yes
General	
Housing	Metal, IP66
IR Cut Filter	Yes
Operation Temperature	-10°C ~ +50°C RH95% Max
Storage Temperature	-20°C ~ +60°C RH95% Max
Power Source	DC12V±10%, 850mA
Dimension	312(W) x 133(H) x 102(D)mm
Weight	1800g