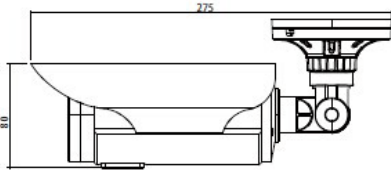
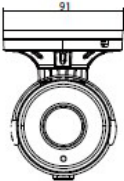
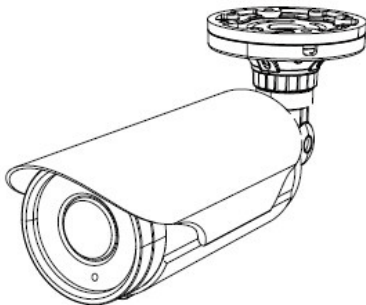
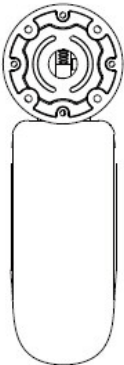


Analogue Camera

2 MP 960H Bullet

EEA2MIR



FEATURES

1/2.8" SONY Starvis Back-illuminated CMOS Sensor

2.7-13.5mm Motorized lens UTC enabled

2MP 1080P/ 960H

AHD/CVI/TVI/CVBS

3DNR

2MP 1080P

IR CUT

EEA2MIR

2MP 960H AHD | EEA2MIR

v1.2-8.14

Camera	
Image Sensor	1/2.8" SONY Starvis Back-illuminated CMOS Sensor
Resolution	2MP 1080P
Effective Pixels	1945(H)*1097(V)
Video Output	AHD/CVI/TVI/CVBS
TV System	PAL/NTSC
Electronic Shutter Time	1/25s~1/50,000s , 1/30s~1/60,000s
S/N Ratio	≥50dB
Scanning System	Progressive
Lens	
Focus Length	2.7-13.5mm
Focus Control	Auto
Lens Type	Motorized
Pixels	2MP
Night Vision	
Infrared LED	42μ x 6PCS
Infrared Distance	60M
IR Power On	Smart IR control
Camera Features	
Starlight	Yes
Day/Night	Yes
OSD Menu Language	Yes
White Balance	Auto/Manual
Gain Control	Support
Noise Reduction	3DNR
Picture Adjustment	Yes
WDR	Yes
OSD Support	Yess
UTC	
General	
Housing	Metal, IP66
IR Cut Filter	Yes
Operation Temperature	-10°C ~ +50°C RH95% Max
Storage Temperature	-20°C ~ +60°C RH95% Max
Power Source	DC12V±10%, 850mA
Dimension	312(W) x 133(H) x 102(D)mm
Weight	1800g

*Exact products and specifications shown may vary by geographic region and are subject to change without notice. Weights and measurements are approximate and may vary.